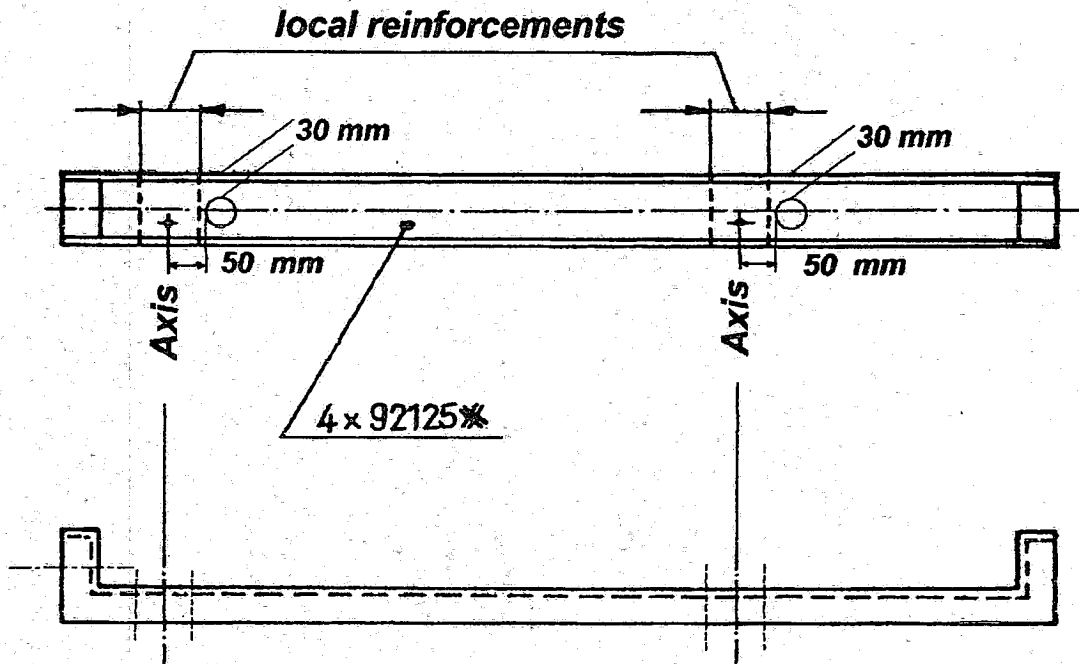


Picture 4 View at Air Brake Box (only models LS6, LS6-a, LS6-b)



Resin: Scheufler L285

Hardener: Scheufler 285

Mixture ratio 100:40 by weight

Foam: Divinycell H60 or Klegecell TR75

Heat treatment: Repair region at least 15 hours at 55° C <131°F >